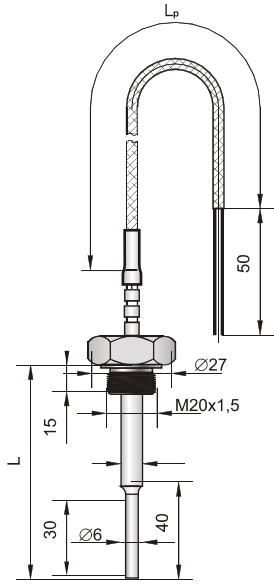
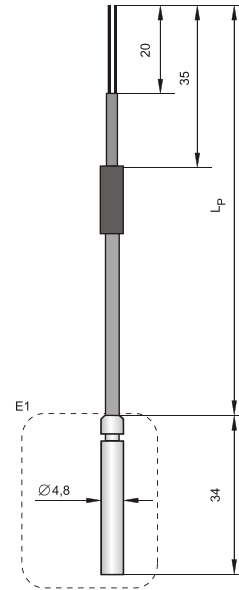


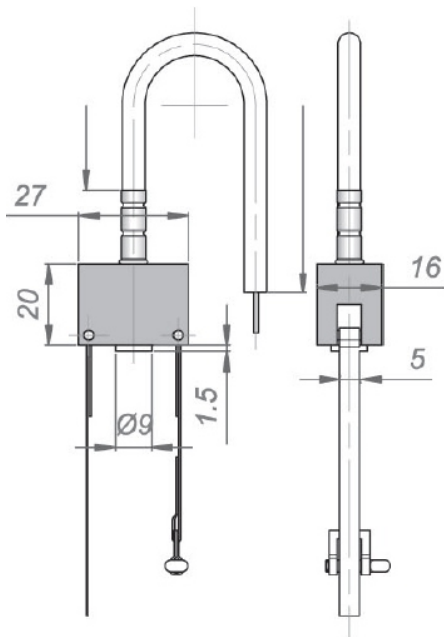
Cable temperature sensors type CT GE1, CT E1, CT R6, CT E2



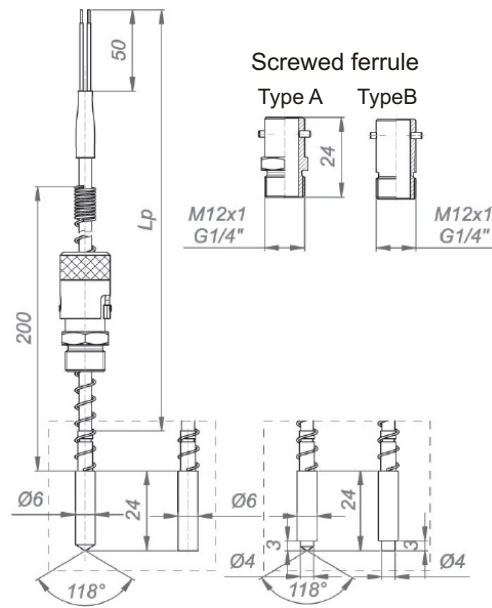
CT GE1



CT E1



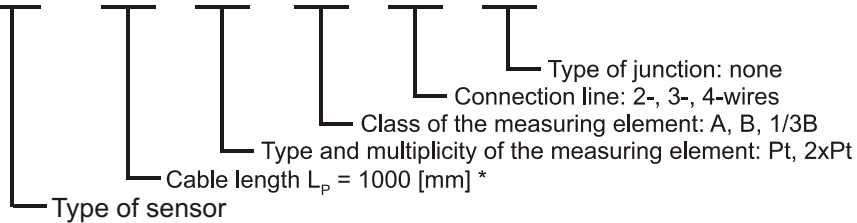
CT R6



CT E2

Ordering procedure:

CT [] - 2000 - Pt - A - 4 - [] - (...)



ADDITIONAL INFORMATION:

1. Non-standard length of temperature sensors on demand.